

# FARMI<sup>®</sup>

Made in Finland

# FOREST

## MASTERSPLIT WP36 & WP30

**THE FIREWOOD PROCESSORS  
FOR PRODUCING TOP-QUALITY  
FIREWOOD WITH GREATER SAFETY,  
EFFICIENCY AND EASE**

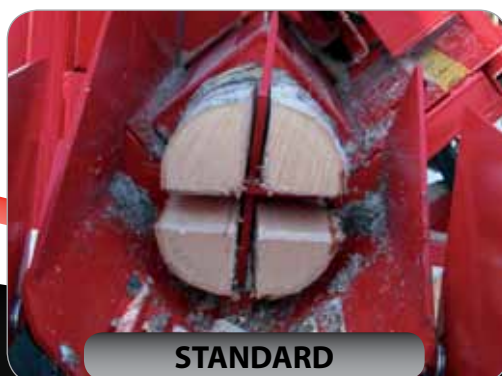
Cross cutting is done easily and quietly by a chainsaw. The chainsaw runs only when cutting. The chain is lubricated automatically when in use. Splitting is done hydraulically into 2 or 4 pieces. Splitting speed is increased by over 40% when using the rapid action function. An optional 6 piece splitting blade is available.



### WP36 SPECIAL VERSIONS



WP with lifting device (accessory)



STANDARD



ACCESSORY



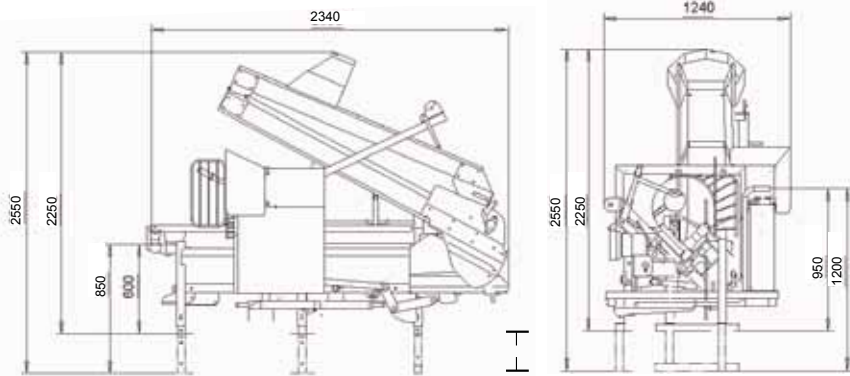
**STANDARD**



**ACCESSORY**



measurement in picture as millimeters



Adjustable height 9 inches

**TECHNICAL INFORMATION**

	<b>WP 30</b>	<b>WP 36</b>
CROSS CUTTING BY CHAINSAW	13"	15"
DRIVE OF CHAINSAW	hydraulic	hydraulic
SPLITTING FORCE, max. tons	6.2	8.8
CROSS CUTTING SPEED normal / rapid movement	@ 12" 2.4 / 1.6 s	@ 14" 1.5 / 1.0 s
STEM DIAMETER	Max. 12"	Max. 14"
LENGTH OF SPLIT WOOD	Max. 24"	Max. 24"
CONVEYOR BELT WIDTH	9.45"	9.45"
CONVEYOR LENGTH	13.1'	13.1'
DRIVE OF CONVEYOR	hydraulic	hydraulic
WEIGHT	1,100 lbs	1,144 lbs
POWER REQUIREMENT	10 hp	10 hp
POWER SOURCE	Tractor / Electric motor / Combustion motor	
TRANSPORTATION WIDTH / HEIGHT	7.7' / 7.4'	7.7' / 7.4'
TRANSPORT PLATFORM (trailer)	optional	optional

Manufacturer reserves right to make changes in specifications.

WP3036US 09/2012 / ER / PRINTED IN FINLAND

**FARMI**® Farmi Forest Corporation  
 Ahmolantie 6  
 FI-74510 Iisalmi  
 FINLAND  
 Tel. +358 17 832 41  
 Fax +358 17 382 4372  
 info@farmiforest.fi

Northeast Implement  
 460 Halsey Valley Road  
 Spencer, NY 14883  
 Tel. 607-589-6160  
 Tel. 888-589-6160  
 Fax 607-589-4026  
 www.northeastimplement.com